

CAM[®]

Kitchen Sink Manufacturer
Since 1975



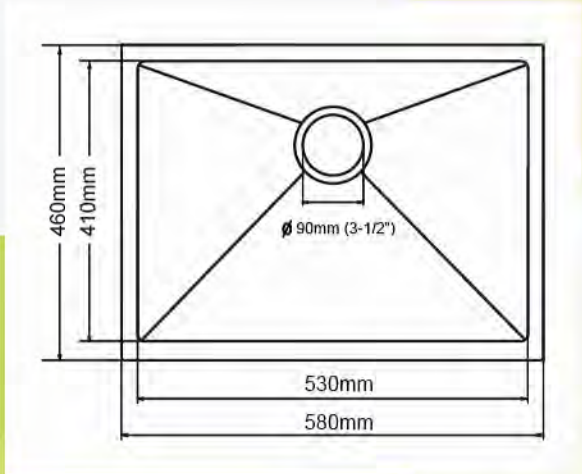
MADE IN MALAYSIA



*Handmade
Sink
Series*

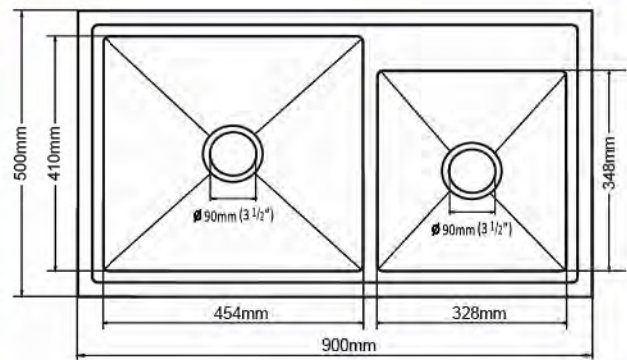


HUNA231891N-M
580mm(W) x 460mm(L) x 230mm(D)

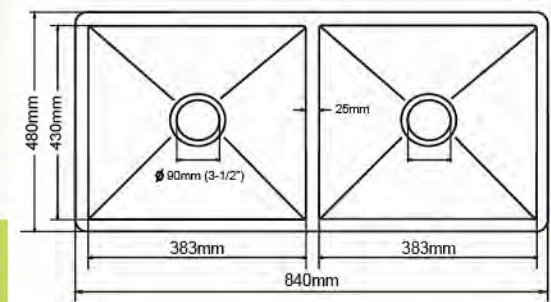


*with cutting board

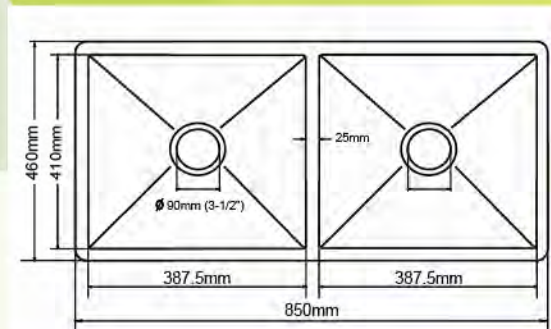
HUNA352092L
900mm(W) x 500mm(L) x 240mm(D)

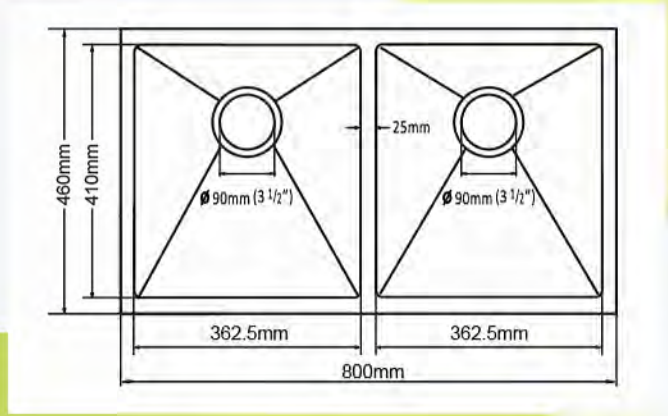


HUNA331890N
840mm(W) x 480mm(L) x 230mm(D)

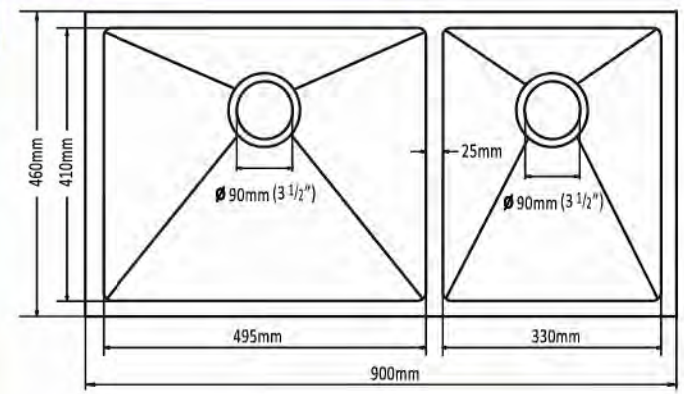


HUNA341890N-M
850mm(W) x 460mm(L) x 230mm(D)

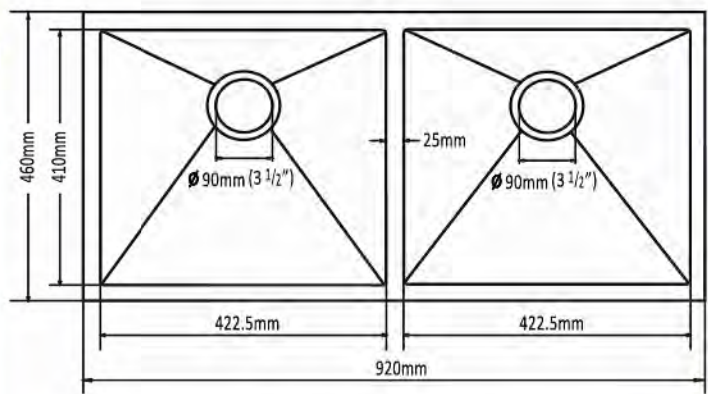




HUNA311890N
Double Bowl 50/50
 800mm(W) x 460mm(L) x 230mm(D)



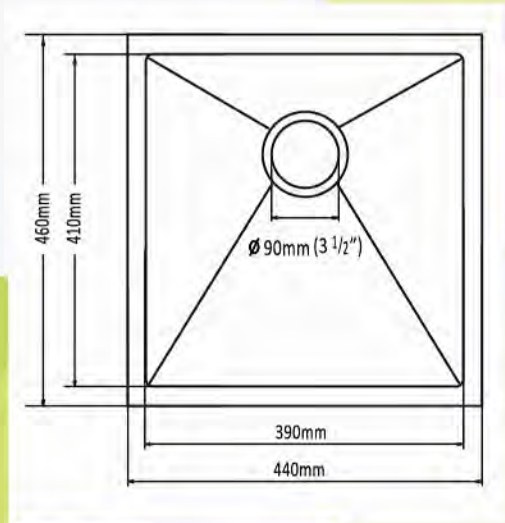
HUNA351892L
Double Bowl 60/40
 900mm(W) x 460mm(L) x 230mm(D)



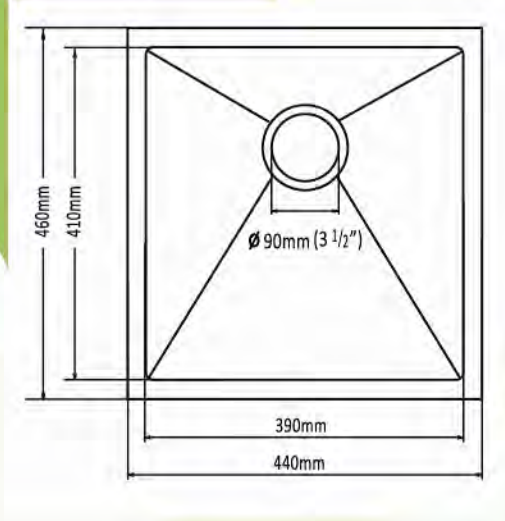
HUNA361890N
Double Bowl 50/50
 920mm(W) x 460mm(L) x 240mm(D)



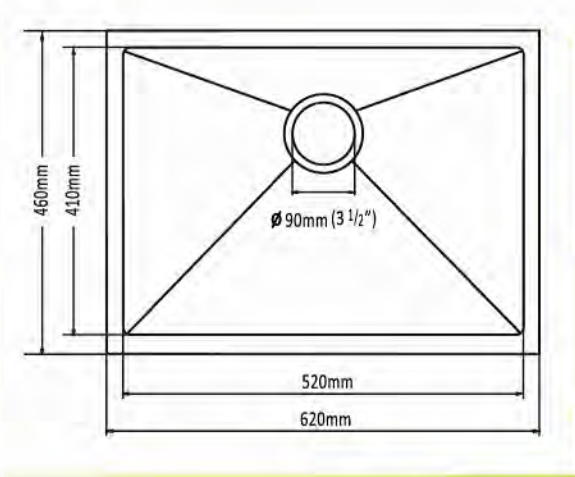
HUNA171891N
440mm(W) x 460mm(L) x 230mm(D)



HUNA171891N-M
440mm(W) x 460mm(L) x 230mm(D)



HUNA241891N
620mm(W) x 460mm(L) x 230mm(D)



*HUNA171891N-M top thickness 1.2mm
*HUNA171891N top thickness 3.0mm

CAM[®]

Kitchen Sink Manufacturer
Since 1975



MADE IN MALAYSIA

American Series Under Mount





33 1/8" x 18 1/2" Undermount 50/50 Double Bowls

U3318C9

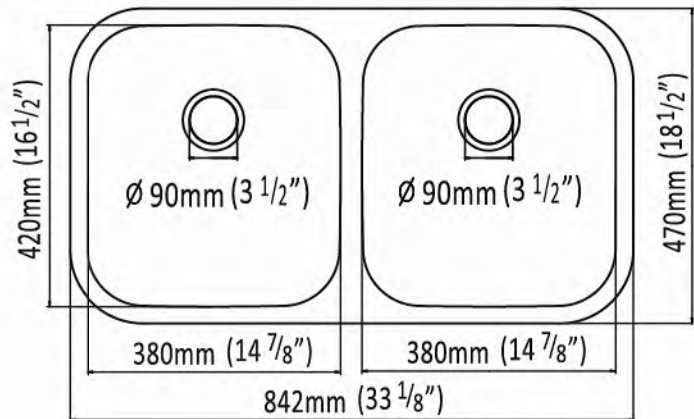
SPECIFICATION:

Depth
9"

Features:

- ✓ Stainless Steel Premium Grade 304
- ✓ Hairline Finishing
- ✓ 3 1/2" Drain Opening
- ✓ Heavy Duty Sound Deadening Pads
- ✓ Environment Friendly Deadening Pads
- ✓ Fully Coating Underneath
- ✓ Supplied With Mounting Clips
- ✓ Functional, Elegant, Durable

DRAWING:



OPTIONAL ACCESSORIES:



Cutting Board



Strainer



**32¹/₄ " x 20³/₄ " Undermount
60/40 Double Bowls
U3220DL**

SPECIFICATION:

Depth
8 ⁹ / ₈ "
9 ⁷ / ₈ "

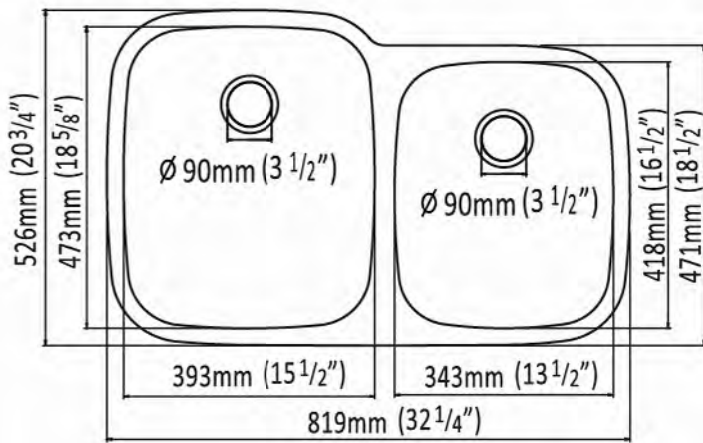
**32¹/₄ " x 20³/₄ " Undermount
60/40 Double Bowls
U3220DR9**

SPECIFICATION:

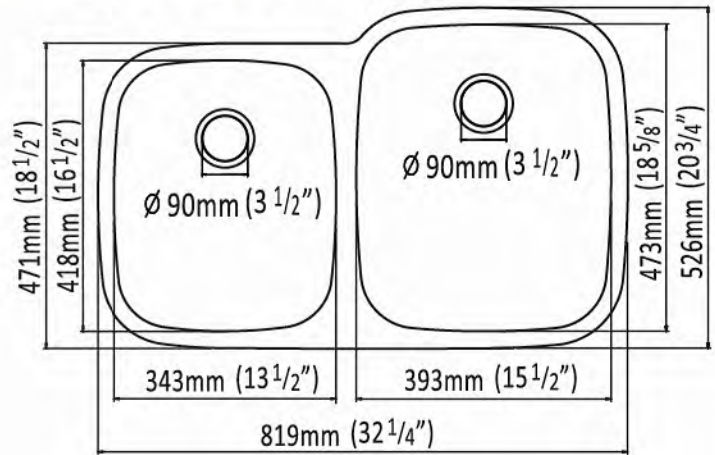
Depth
8 ⁹ / ₈ "
9 ⁷ / ₈ "



DRAWING:



DRAWING:



Features:

- ✓ Stainless Steel Premium Grade 304
- ✓ Hairline Finishing
- ✓ 3¹/₂" Drain Opening
- ✓ Heavy Duty Sound Deadening Pads
- ✓ Environment Friendly Deadening Pads
- ✓ Fully Coating Underneath
- ✓ Supplied With Mounting Clips
- ✓ Functional, Elegant, Durable

OPTIONAL ACCESSORIES:



Cutting Board



Faucet



Strainer

32 1/2" x 20 1/2" Undermount 70/30 Double Bowls U3120BL

SPECIFICATION:

Depth
8" / 8"
9" / 8"

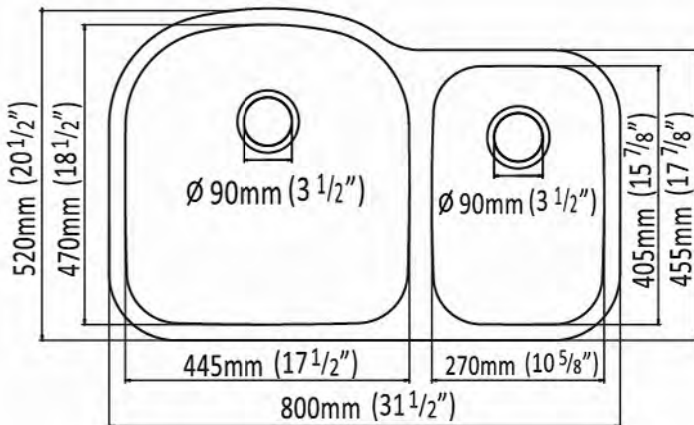
32 1/2" x 20 1/2" Undermount 70/30 Double Bowls U3120BR9

SPECIFICATION:

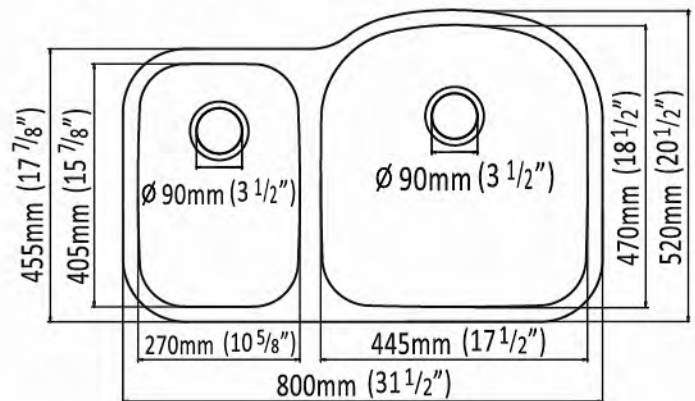
Depth
8" / 8"
8" / 9"



DRAWING:



DRAWING:



Features:

- ✓ Stainless Steel Premium Grade 304
- ✓ Hairline Finishing
- ✓ 3 1/2" Drain Opening
- ✓ Heavy Duty Sound Deadening Pads
- ✓ Environment Friendly Deadening Pads
- ✓ Fully Coating Underneath
- ✓ Supplied With Mounting Clips
- ✓ Functional, Elegant, Durable

OPTIONAL ACCESSORIES:



Cutting Board



Faucet



Strainer



31³/₈" x 18" Undermount Single Bowl

U3118A9

SPECIFICATION:

Depth
9"

Features:

- ✓ Stainless Steel Premium Grade 304
- ✓ Hairline Finishing
- ✓ 3¹/₂" Drain Opening
- ✓ Heavy Duty Sound Deadening Pads
- ✓ Environment Friendly Deadening Pads
- ✓ Fully Coating Underneath
- ✓ Supplied With Mounting Clips
- ✓ Functional, Elegant, Durable

OPTIONAL ACCESSORIES:

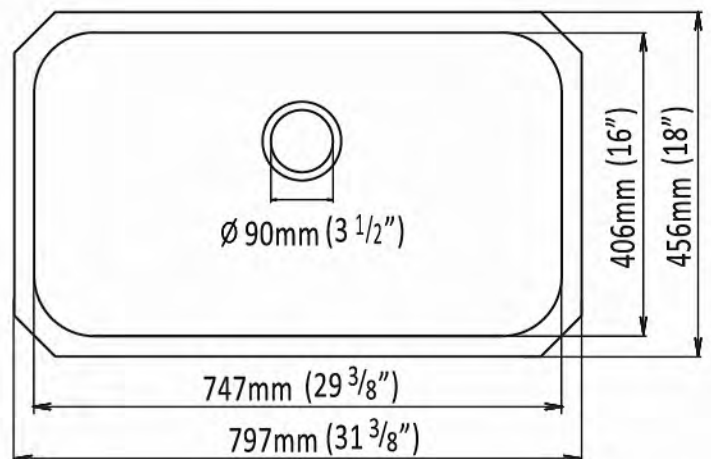


Cutting Board



Strainer

DRAWING:





23 ⁵/₈ " x 17 ⁷/₈ " Undermount Single Bowl

U2317A

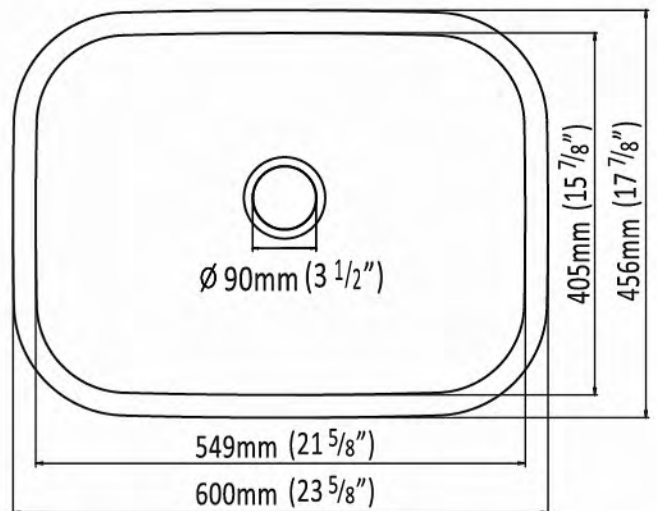
SPECIFICATION:

Depth
9"

Features:

- ✓ Stainless Steel Premium Grade 304
- ✓ Hairline Finishing
- ✓ 3 1/2" Drain Opening
- ✓ Heavy Duty Sound Deadening Pads
- ✓ Environment Friendly Deadening Pads
- ✓ Fully Coating Underneath
- ✓ Supplied With Mounting Clips
- ✓ Functional, Elegant, Durable

DRAWING:



OPTIONAL ACCESSORIES:



Cutting Board



Strainer



**32¹/₄" x 18¹/₂" Undermount
50/50 Double Bowls
U3218A**

SPECIFICATION:

Depth
9"

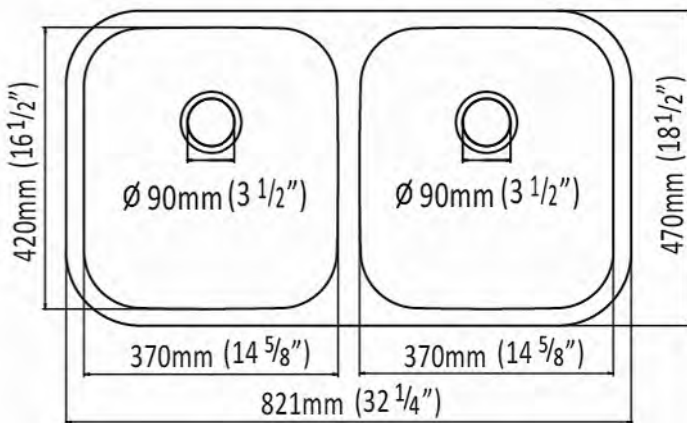
**15" x 15" Top-Mount Single Bowl
T1515A**

SPECIFICATION:

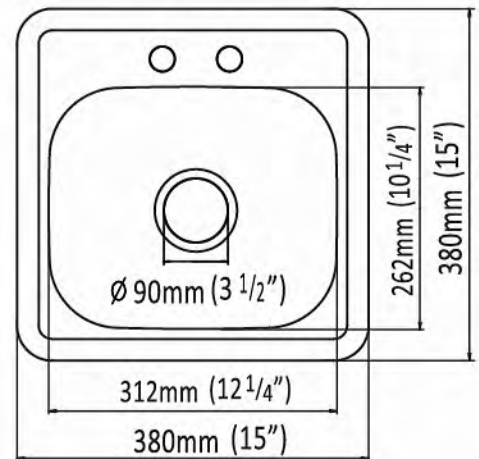
Depth
6"



DRAWING:



DRAWING:



Features:

- ✓ Stainless Steel Premium Grade 304
- ✓ Hairline Finishing
- ✓ 3¹/₂" Drain Opening
- ✓ Heavy Duty Sound Deadening Pads
- ✓ Environment Friendly Deadening Pads
- ✓ Fully Coating Underneath
- ✓ Supplied With Mounting Clips
- ✓ Functional, Elegant, Durable

OPTIONAL ACCESSORIES:



Cutting Board



Faucet



Strainer



Kitchen Sink Manufacturer
Since 1975



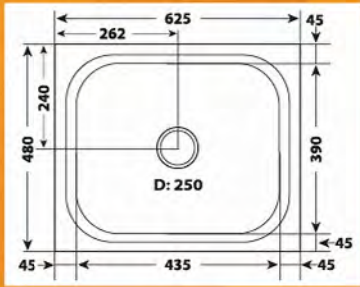
MADE IN MALAYSIA



European Series

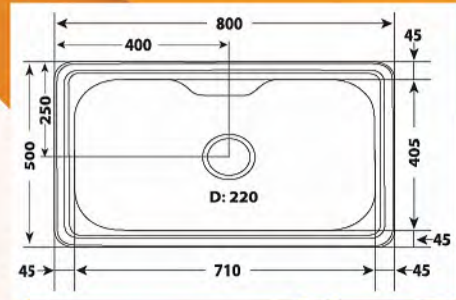
AHI 1021BW-C

625mm(W) x 480mm(L) x 250mm(D)
Type: Inset / Undercounter



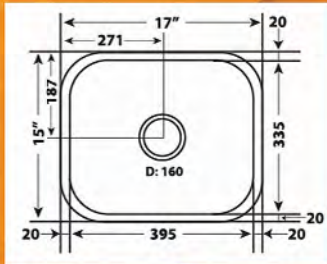
AHI 1017BWC

800mm(W) x 500mm(L) x 220mm(D)
Type: Inset / Undercounter



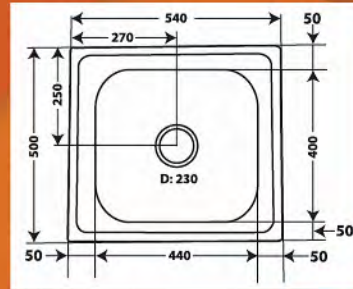
AH 70870PB-C

17"(W) x 15"(L) x 160mm(D)
Type: Undercounter



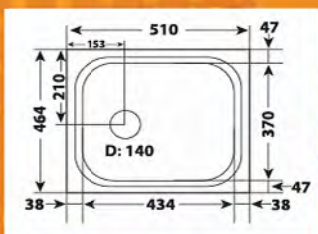
AHC 0550PB-C

540mm(W) x 500mm(L) x 230mm(D)
Type: Inset / Undercounter



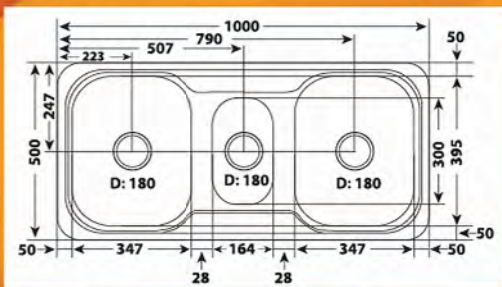
AH 0830S/L

20"(W) x 18"(L) x 5.5"(D)
Type: Lay-On



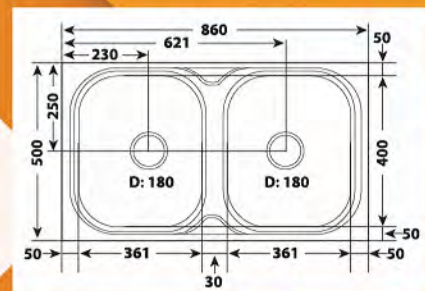
AHI 1013BWC

1000mm(W) x 500mm(L) x 180mm(D)
Type: Inset / Undercounter



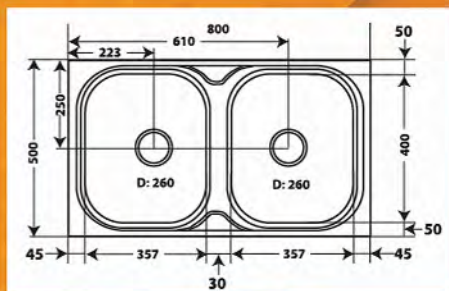
AHI 1018BWC

860mm(W) x 500mm(L) x 180mm(D)
Type: Inset / Undercounter



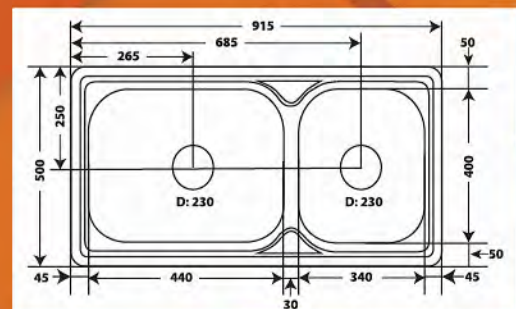
AHI 1019BWC

800mm(W) x 500mm(L) x 260mm(D)
Type: Inset / Undercounter



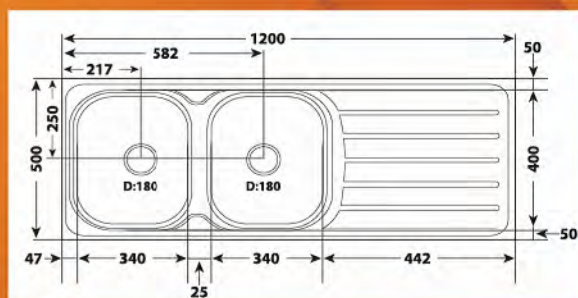
AHI 1020BWC

915mm(W) x 500mm(L) x 230mm(D)
Type: Inset / Undercounter



AHI 1022BWC

1200mm(W) x 500mm(L) x 180mm(D)
Type: Inset / Undercounter

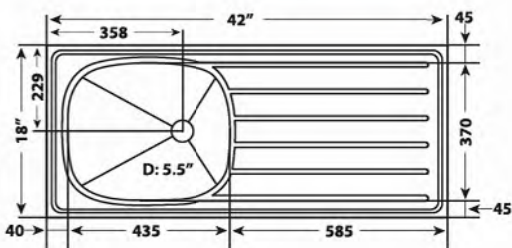




AHI 0820S/L Type: Inset / Undercounter (PVC)

AH 0820S/L Type: Lay-On (PVC)

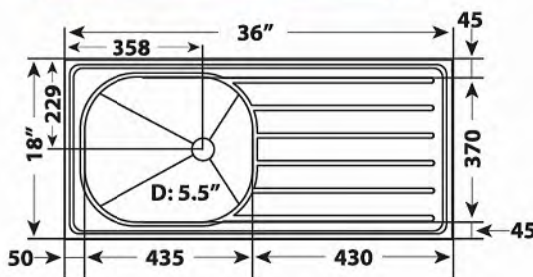
42"(W) x 18"(L) x 5.5"(D)



AHI 0825S/L Type: Inset / Undercounter (PVC)

AH 0825S/L Type: Lay-On (PVC)

36"(W) x 18"(L) x 5.5"(D)





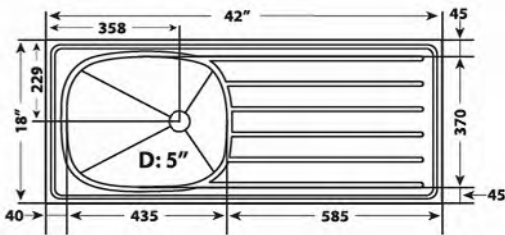
Aluminium Sink Series



AH 0810A

42"(W) x 18"(L) x 5"(D)

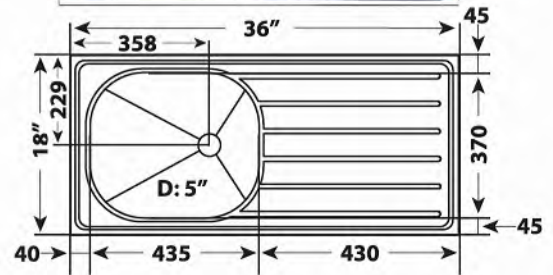
Type: Lay-On



AH 0815A

36"(W) x 18"(L) x 5"(D)

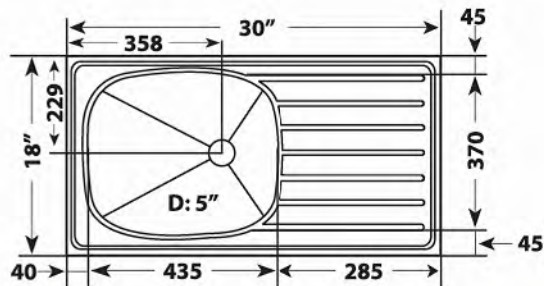
Type: Lay-On



AH 0816A

30"(W) x 18"(L) x 5"(D)

Type: Lay-On



CAM[®]

Kitchen Sink Manufacturer
Since 1975



MADE IN MALAYSIA



D.I.Y
Series



ADY0832-01
CAM S/S D.I.Y Sink With Stand
Center Bowl Double Drainers
L1200mm x W500mm x H780mm
Sink Depth: 240mm



ADY0829-01
CAM S/S D.I.Y Sink With Stand
Single Bowl
L654mm x W504m x H780mm
Sink Depth: 230mm



***Excluded frying pan, sauce pan & kitchen tools**

ADY0827-01
CAM S/S D.I.Y Sink With Stand
Single Bowl Single Drainer
L1000mm x W500mm x H780mm
Sink Depth: 230mm



***Excluded frying pan, sauce pan & kitchen tools**

ADY0828-01
CAM S/S D.I.Y Sink With Stand
Double Bowls Single Drainer
L1200mm x W500mm x H780mm
Sink Depth: 180mm



***Excluded frying pan, sauce pan & kitchen tools**

ADY0830-01
CAM S/S D.I.Y Table With Stand
L1000mm x W500mm x H780mm



ADY1000
CAM S/S D.I.Y Sink With Stand
Single Bowl Single Drainer
L915mm x W460mm x H820mm
Sink Depth: 140mm



ADY1001
CAM S/S D.I.Y Sink With Stand
Single Bowl Single Drainer
L760mm x W460mm x H820mm
Sink Depth: 140mm



ADY1002
CAM S/S D.I.Y Sink With Stand
Single Bowl Single Drainer
L800mm x W460mm x H820mm
Sink Depth: 180mm



ADY1003
CAM S/S D.I.Y Sink With Stand
Double Bowls
L800mm x W460mm x H820mm
Sink Depth: 180mm



ADY1004
CAM S/S D.I.Y Sink With Stand
Single Bowl
L508mm x W460mm x H820mm
Sink Depth: 140mm



Accessories

*Installation
Guide*

CAM[®]

Kitchen Sink Manufacturer
Since 1975



MADE IN MALAYSIA



Regulations



CAM[®]

Accessories



AWW90-CG
110mm Strainer Waste



AWW90-PW
110mm Strainer Waste



A-Strainer
Strainer Waste



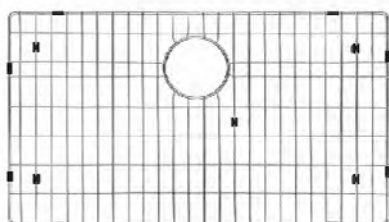
AH0002
Small Strainer Waste



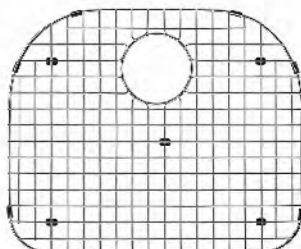
AWW01
Small Strainer Waste



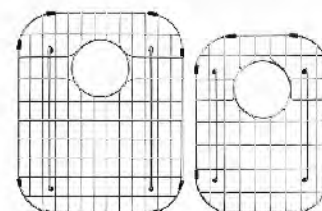
AWW90-P-AS
Plastic Big Strainer Waste



Bottom Grid



Bottom Grid



Bottom Grid



Cutting Board



Cutting Board



Roller Grid



SSFB01
Expandable Basket



CAM[®]

Accessories



SSFF01
Faucet



SSFF02
Faucet



SSFF03
Faucet

SSFR01
Expendable Rack 1000mm



SSFR02
Expendable Rack 1200mm

